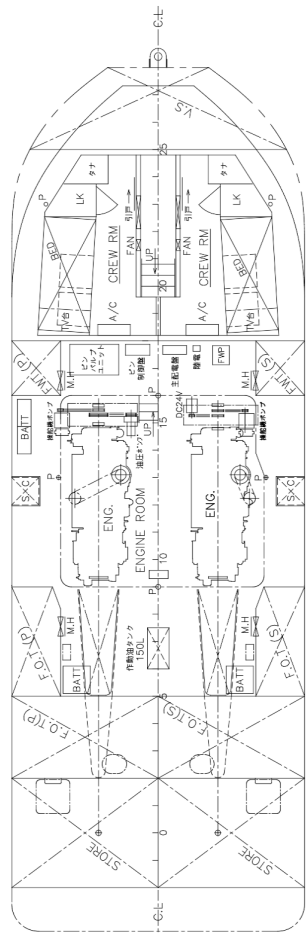


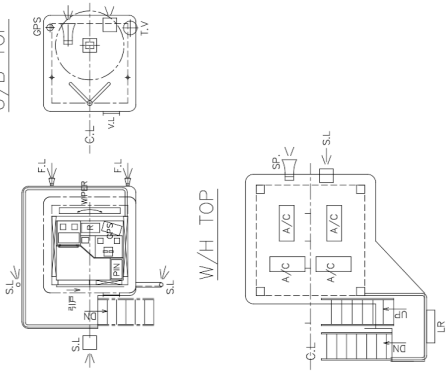
UNDER DECK PLAN



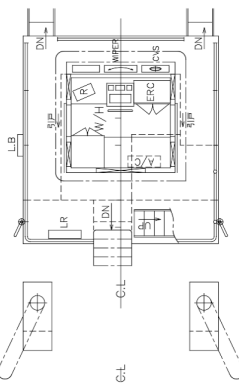
PRINCIPAL DIMENSIONS

LENGTH (O.A)	16,300 m
LENGTH (REG)	14,000 m
BREADTH (MID)	5,400 m
DEPTH (MID)	1,950 m
DRAFT (DSN)	1,500 m
GROSS TONNAGE	19 TON
CLASS	J C I
MAIN ENGINE	837KW(1138PS)×2SET'S
SPEED	TRIAL MAX. ABT. 11 KNOT
COMPLEMENT	12P (船員5, 旅客9)
NAV. AREA	認定設備 + 別冊5×イル

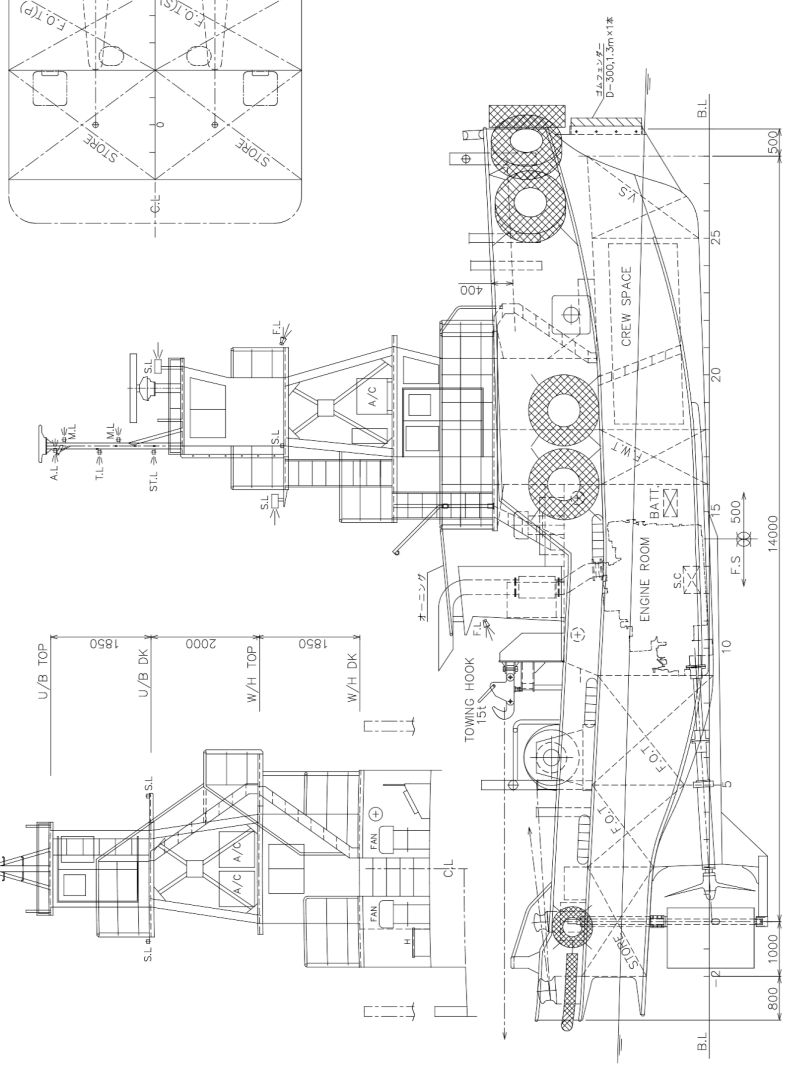
UPP. BRI. U/B TOP W/H TOP



W/H DECK



AFT VIEW



UPPER DECK PLAN

